



CASCAIDE
1-800-283-6266
Phone: (713) 466-1449 Fax: (713) 466-1703
E-Mail: customerservice@enconsafety.com

CASCAIDE™
SHOWER/EYEWASH
PART NUMBER: CC1261

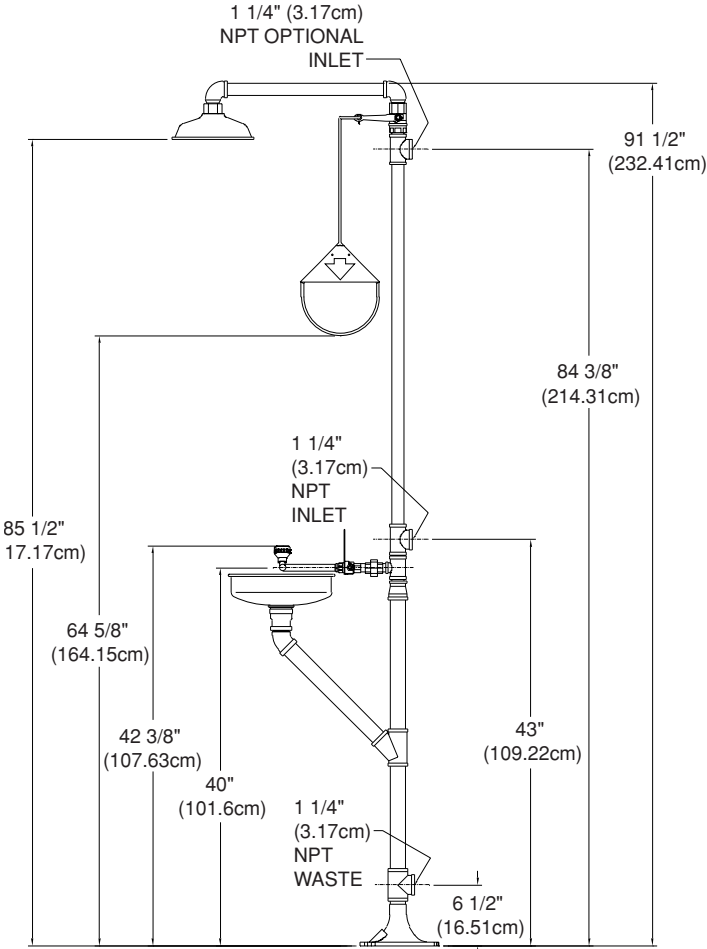
SPECIFICATION:

The ANSI Z358.1 compliant combination shower and eyewash station (ESEW) shall deliver 20 gpm (75.7 lpm) @ 30/70 psi (206.8/482.6 kPa) of flowing pressure from the self-adjusting regulated showerhead and 2.4 gpm (9.1 lpm) @ 30/70 psi (206.8/482.6 kPa) of flowing pressure from the self-adjusting regulated eyewash. Upon installation, the unit shall provide a non-injurious stream of water for 15 minutes or longer. Highly visible UV resistant ABS plastic yellow showerhead delivers a minimum of 20" (50.8 cm) diameter pattern to the target area 60" (152.4 cm) above standing level. Eyewash heads with integral hinged covers manufactured of solvent resistant yellow acetal mounted on a chrome plated brass wye are positioned over a type 304 SS bowl and above the drain opening. Combination unit shall be supplied with chrome plated (CP) bronze single motion activation stay open 1" shower and 1/2" eyewash ball valves with CP balls. Unit shall include S/S actuators with actuation graphics and schedule 40 hot dip galvanized piping with flanged floor mounting plate for free-standing installation. Determination of the 1 1/4" supply connection location at top or mid-point is by the installer.

Combination units that provide improper flow pattern or contain deteriorating screens/filters are not acceptable.

MATERIALS OF CONSTRUCTION:

- PIPING:** Schedule 40 hot dip galvanized steel.
- VALVES:** Chrome plated bronze stay open ball valves with chrome-plated balls, brass chrome plated stems, stainless steel push plate with actuation graphic (eyewash) and stainless steel pull rod assembly with actuation graphic (shower). Valve size: shower 1", Eyewash 1/2".
- SHOWER HEAD:** Yellow ABS plastic shower head delivers a minimum of 20" (50.8cm) diameter pattern to the target area 60" (152.4cm) above standing level.
- EYEWASH HEAD:** Yellow acetal plastic dual stream heads with hinged covers on a brass chrome plated wye assembly.
- BOWL:** Type 304 stainless steel.
- REGULATOR:** Self-adjusting 20 gpm (75.7 lpm) shower and two (2) 1.2 gpm (4.5 lpm) eyewash regulators.
- SUPPLY:** 1 1/4" NPT
- WASTE:** 1 1/4" NPT
- WEIGHT:** 59 lbs (26.76 kgs)



	MODEL #	DESCRIPTION
	CC1261	Unit as Specified
	CC2261	With 30 gpm Shower Head

