

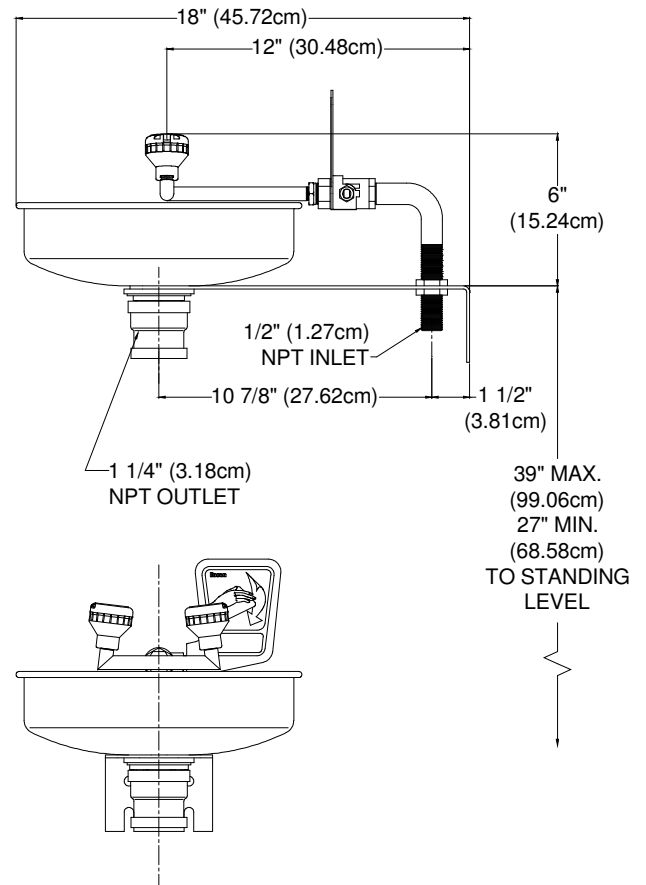


1-800-283-6266  
 Phone: (713) 466-1449 Fax: (713) 466-1703  
 E-Mail: customerservice@enconsafety.com

# CASCADE™ EYEWASH W/SST-BOWL AND WALL BRACKET PART NUMBER: CC02210

**SPECIFICATION:**

Third party certified to ANSI Z358.1, the eyewash shall deliver 2.4 gpm (9.1 lpm) @ 30/70 psi (206.8/482.6 kPa) of flowing pressure. Eyewash shall provide a non-injurious stream of water for 15 minutes or longer. Unit shall be supplied with 1/2" chrome plated (CP) single motion activation stay open ball valve with CP ball. Eyewash shall include stainless steel (SS) actuator with actuation graphic, 7" X 11" (17.8cm X 27.9cm) sign and stainless steel wall mounting bracket. Unit must be supplied with self-adjusting 2.4 gpm (9.1 lpm) regulator to assure a constant and even dual stream flow pattern under 30/70 psi (206.8/482.6 kPa) hydraulic conditions. Eyewash heads with integral hinged covers to be manufactured of solvent resistant acetal mounted on chrome plated brass wye in a type 304 stainless steel Bowl. Eyewash covers are provided to inhibit dust and/or contamination when not in use. Eyewash units with deteriorating screens/filters are not acceptable. The supply for the unit will be installed above the drain, eliminating backflow opportunity. Eyewash shall be Encon Safety Products Model CC02210.



**MATERIALS OF CONSTRUCTION:**

**PIPING:** 1/2" Chrome plated brass.

**VALVES:** 1/2" Chrome plated bronze stay open ball valve with chrome plated ball, stainless steel valve stem and stainless steel push plate with actuation graphic.

**EYEWASH HEAD:** Acetal dual stream heads with integral hinged covers and chrome plated brass wye assembly.

**BOWL:** Type 304 stainless steel bowl with stainless steel wall mount bracket.

**REGULATOR:** Self-adjusting 2.4 gpm (9.1 lpm) regulator assures a constant and even dual stream flow pattern under varying hydraulic conditions.

**SUPPLY:** 1/2" NPT

**WASTE:** 1 1/4" NPT

**WEIGHT:** 6 lbs (2.72 kgs)

	MODEL #	DESCRIPTION
<input type="checkbox"/>	CC02210	Unit as Specified

Doc. No: CC02210.1  
 Issue Date: 11/21/05  
 Sec: Eyewashes

© 2005 Encon Safety Products

Visit our website: [www.enconsafety.com](http://www.enconsafety.com)

**ANSI COMPLIANT**